

SOME WJ-8718/MFP & WJ-8718A/MFP TROUBLESHOOTING AIDS

(v1.2 – May 2021)

by Paolo Viappiani, La Spezia, Italy, 2021

PLEASE READ BEFORE ATTEMPTING RECEIVER MAINTENANCE

The supplementary figures that appear in the following pages can be useful both for a better understanding of the operation of these receivers.

A representation of the WJ-8718 Series chassis layout has been also added in order to remedy the frequent confusion generated by the different nomenclatures adopted by Watkins-Johnson for the motherboard sockets and the various cards.

Finally, representations of the A4 Motherboard (from both top and bottom sides) with indication of the IF-AGC-Audio signal path and of the various switching voltages could be of some help for quick checks and troubleshooting purposes.

Here is a short description of each figure.

Figure A: ***WJ-8718 Receiver Chassis Layout***. This layout is common to all receivers of the WJ-8716-8718 Series, including the WJ-8718-19/FE.

Figure B: ***Front Panel switches/A6 MB bus relationship in the MFP receivers***. Also this scheme is common to all receivers of the WJ-8716-8718 Series, including the WJ-8718-19/FE.

Figure C: ***Simplified Block Diagram concerning the A4 IF Motherboard Signal Path of the WJ-8718 Series receivers***.

Figure D: ***Signal Path and Switching Voltages in the A4 IF Motherboard of the WJ-8718 Series receivers (top view)***.

Figure E: ***Signal Path and Switching Voltages in the A4 IF Motherboard of the WJ-8718 Series receivers (bottom view)***.

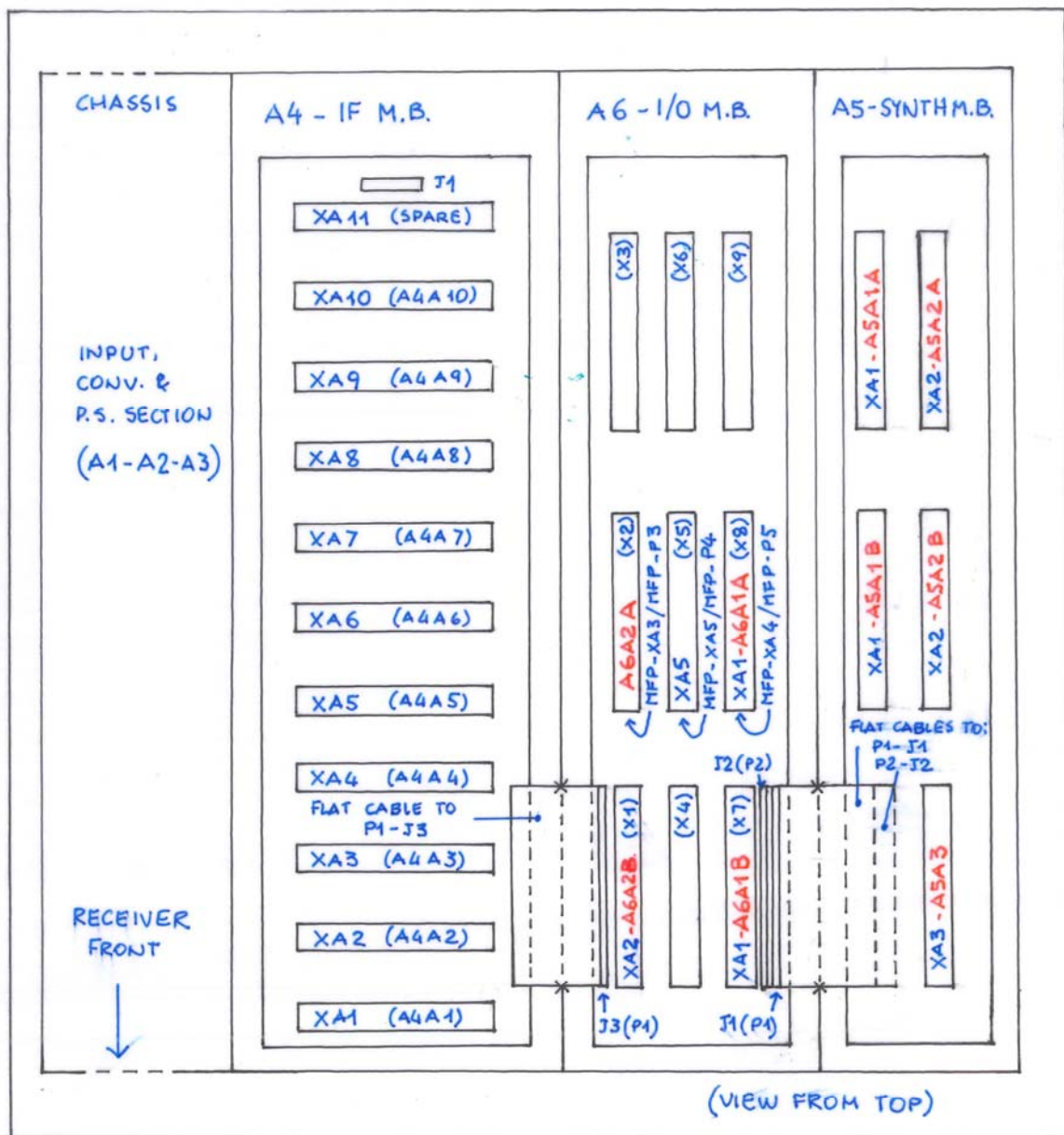


Figure A: WJ-8718 Receiver Chassis Layout.

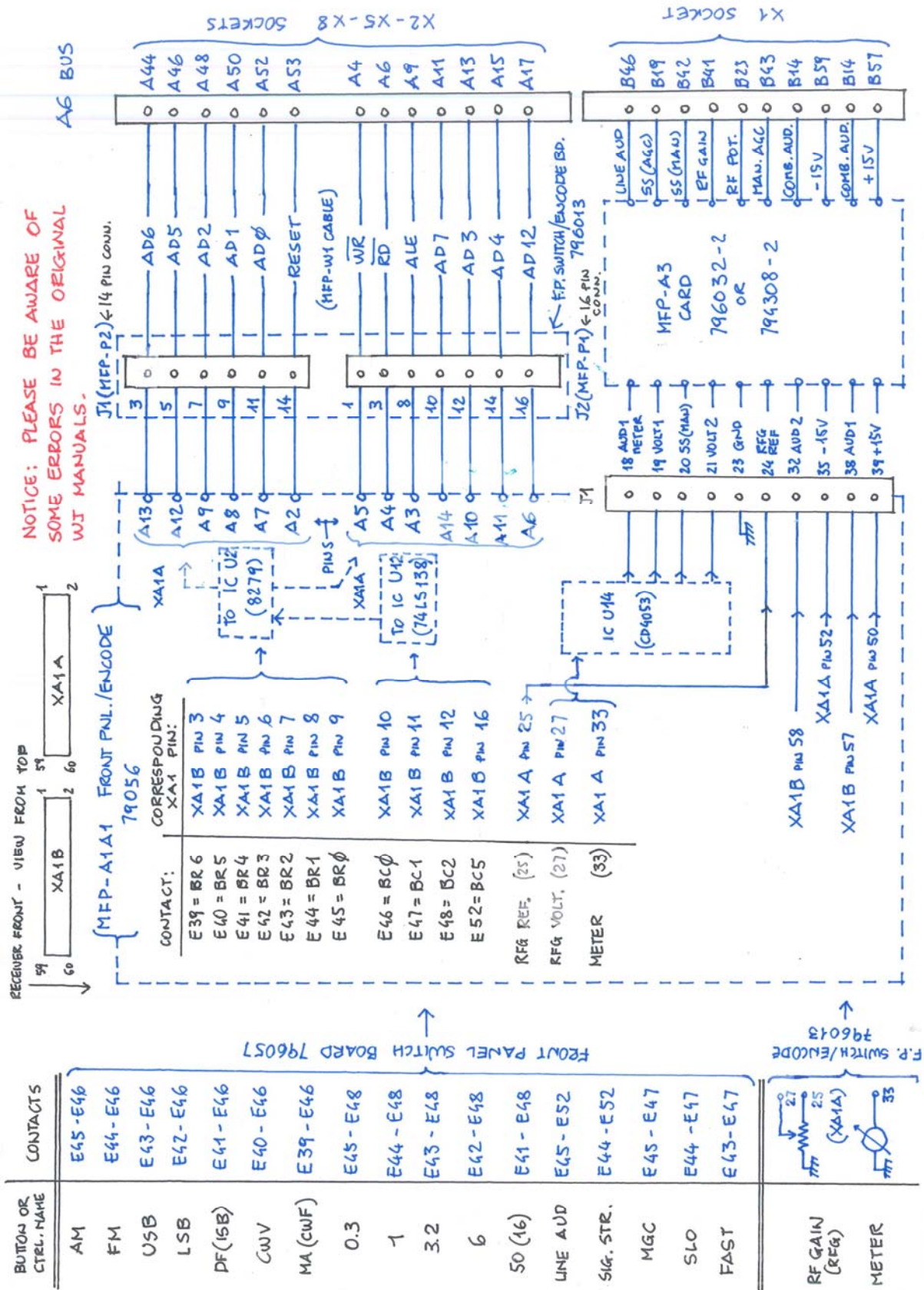


Figure B: Front Panel switches/A6 MB bus relationship in the MFP receivers.

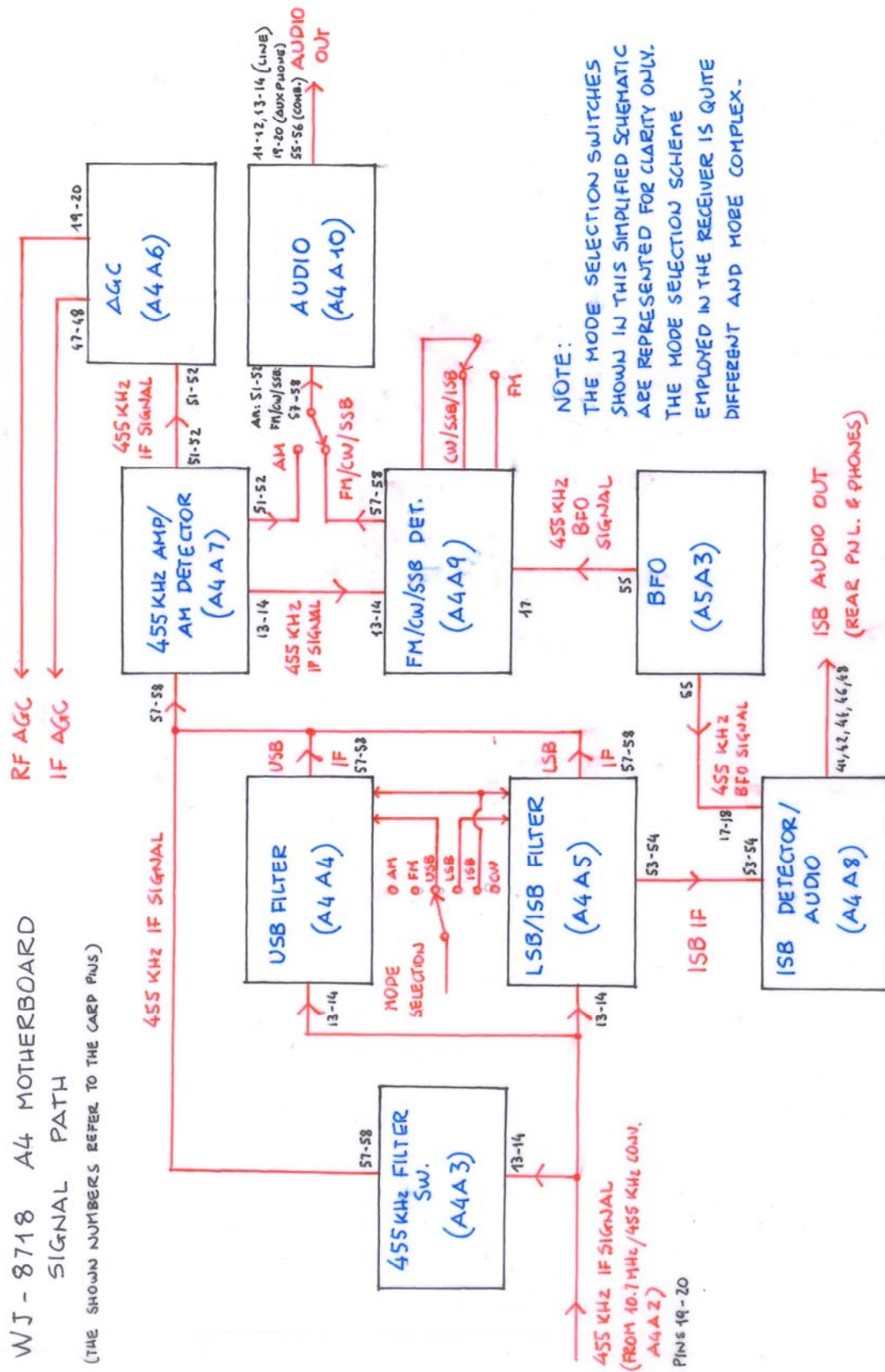


Figure C: WJ-8718 Series A4 IF Motherboard Signal Path (Simplified Block Diagram)

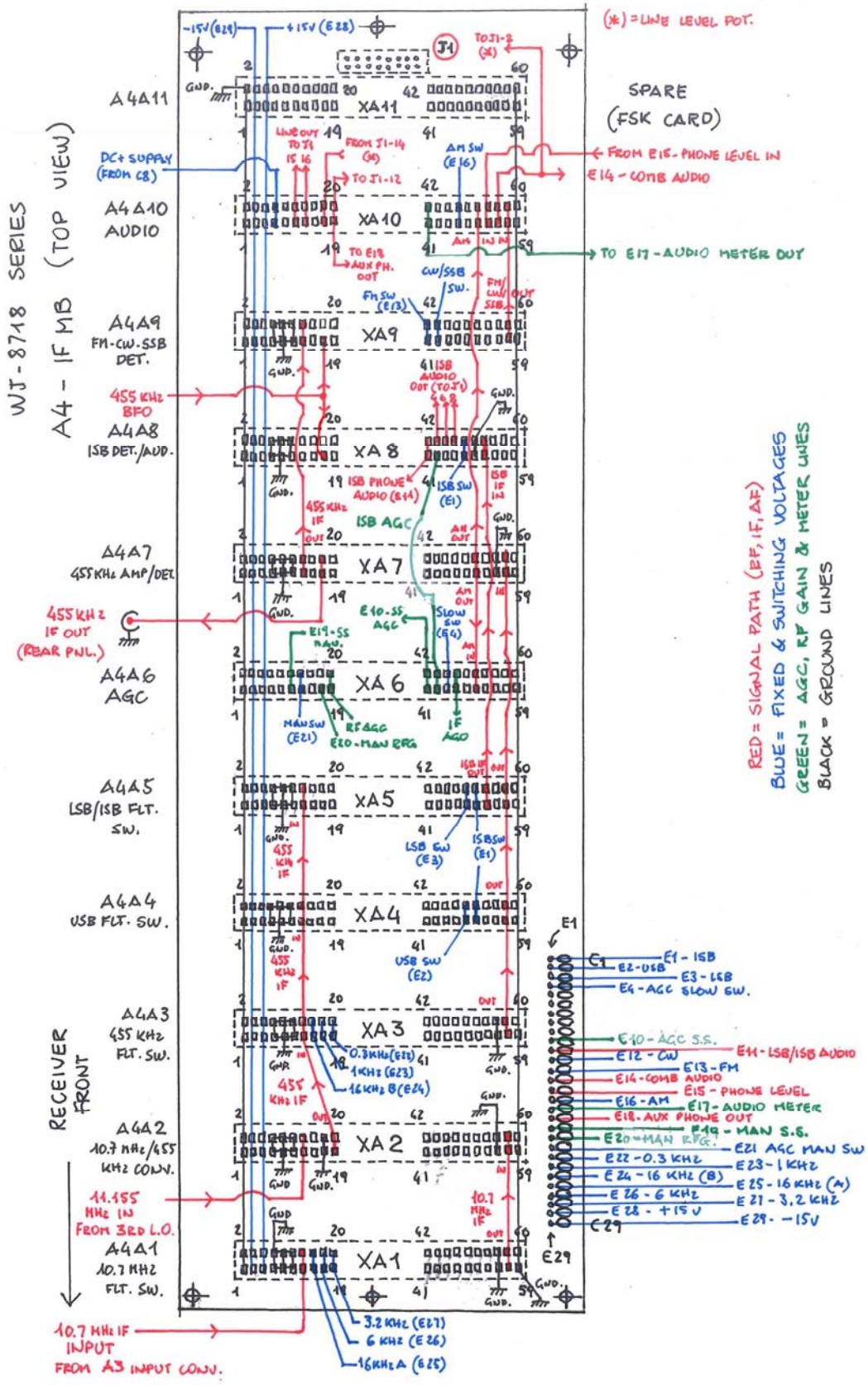


Figure D: Signal Path and Switching Voltages in the A4 IF Motherboard of the WJ-8718 Series receivers (top view).

